

— IPRally

Graph-based patent search

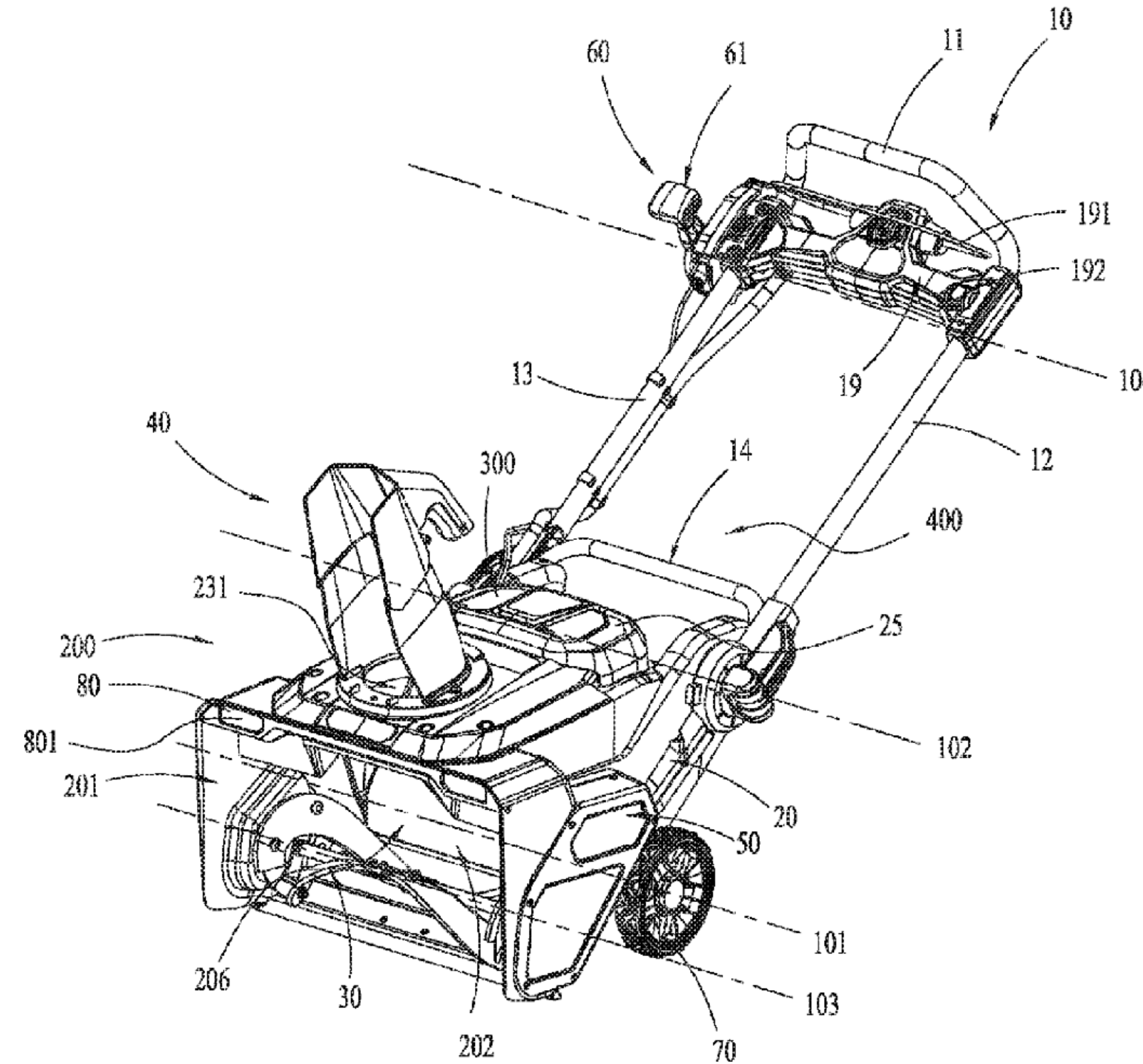
Juho Kallio
CTO & Co-Founder

Sebastian Björkqvist
Lead AI developer

The insight: concept graph

A snowthrower comprising a motor, an auger driven by the motor to rotate, a handle device for a user to operate, an auger housing for containing the auger and a frame for connecting the handle device and the auger housing, wherein the auger housing is made of at least two different materials.

- • snowthrower
 - motor
 - handle device
 - **handle device** for a user to operate
 - auger housing
 - auger
 - **auger** driven by **motor** to rotate
 - at least two different materials
 - frame
 - **frame** for connecting **handle device** and **auger housing**

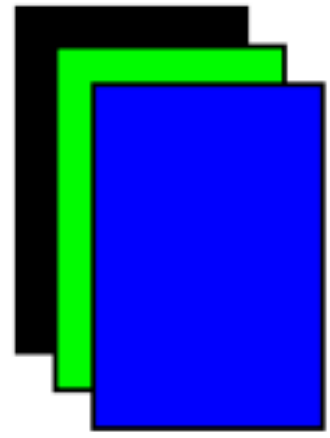


Graph motivation

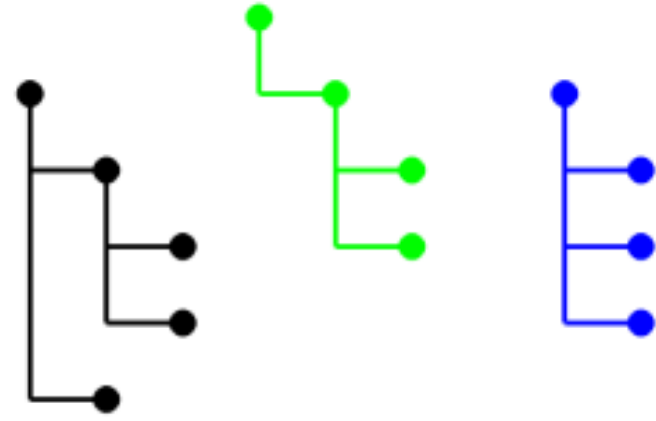
- └ With graph, no repetition or jargon is needed
- └ Explainable
- └ Encodes information into the structure
- └ Can connect with other data

The solution - divide and conquer

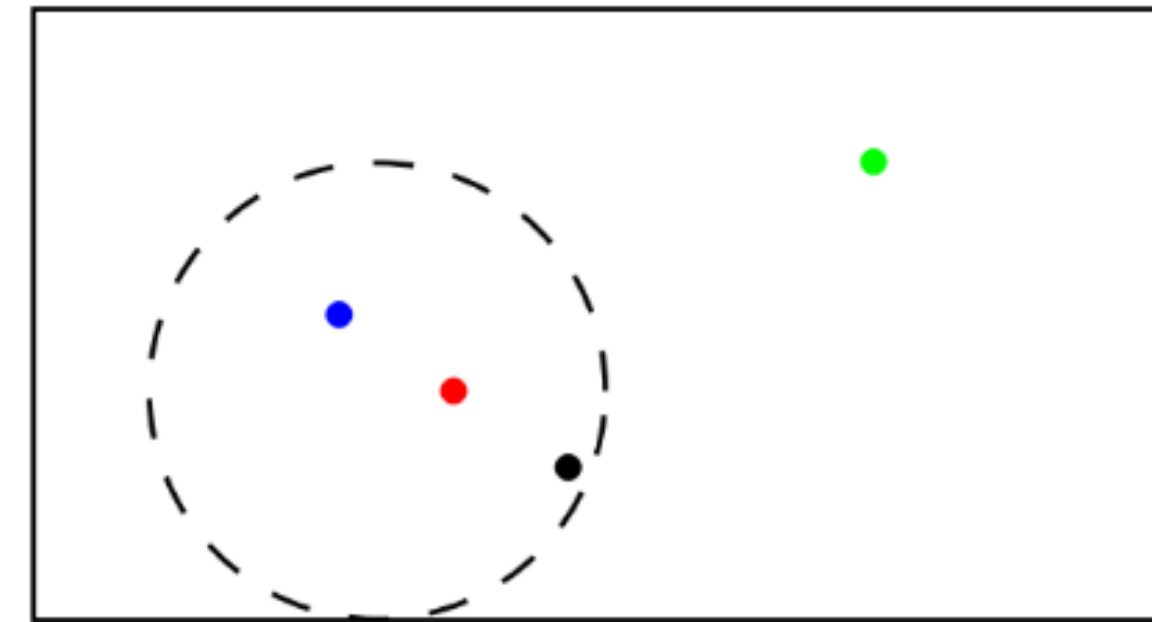
Patent documents



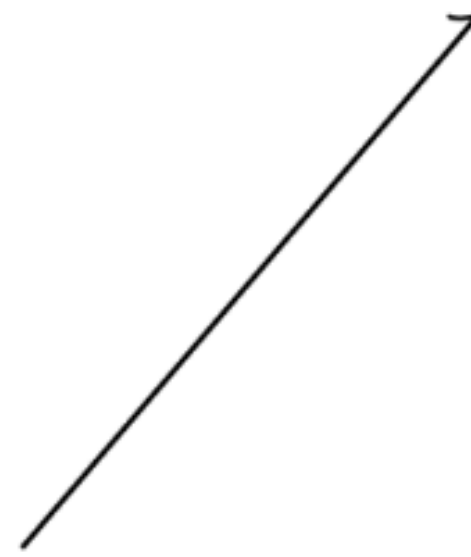
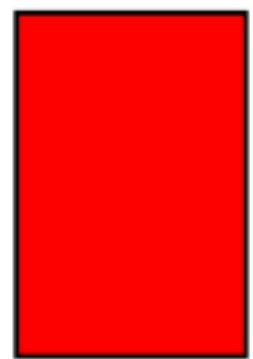
Graphs



Vectors



User query



Document → graph

1. A snowthrower, comprising:

a motor;

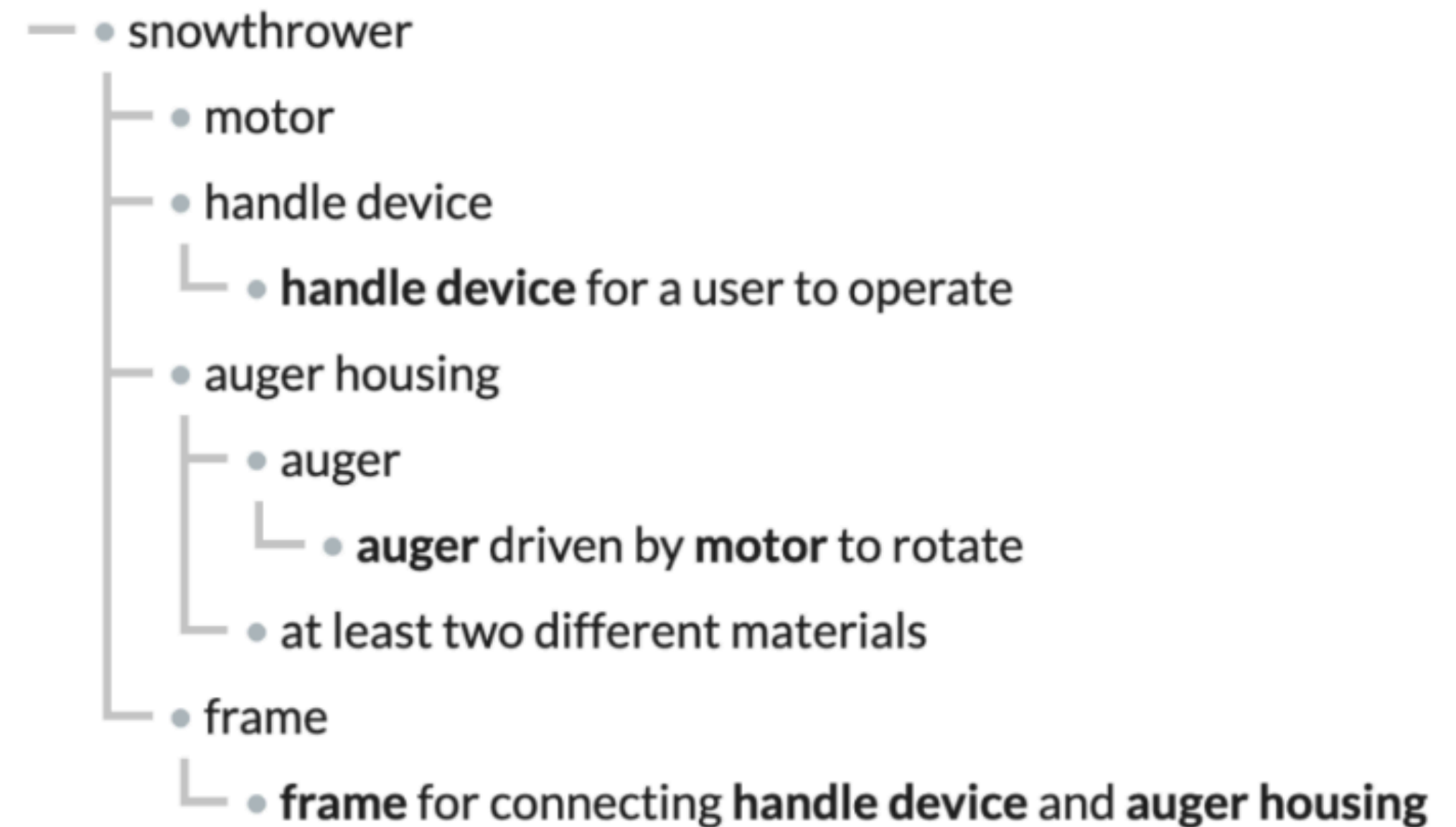
an auger driven by the motor to rotate;

a handle device for a user to operate;

an auger housing for containing the auger; and

a frame for connecting the handle device and the auger housing;

wherein the auger housing is made of at least two different materials.



Seeking to cover everything



— IPRally

Supervised training

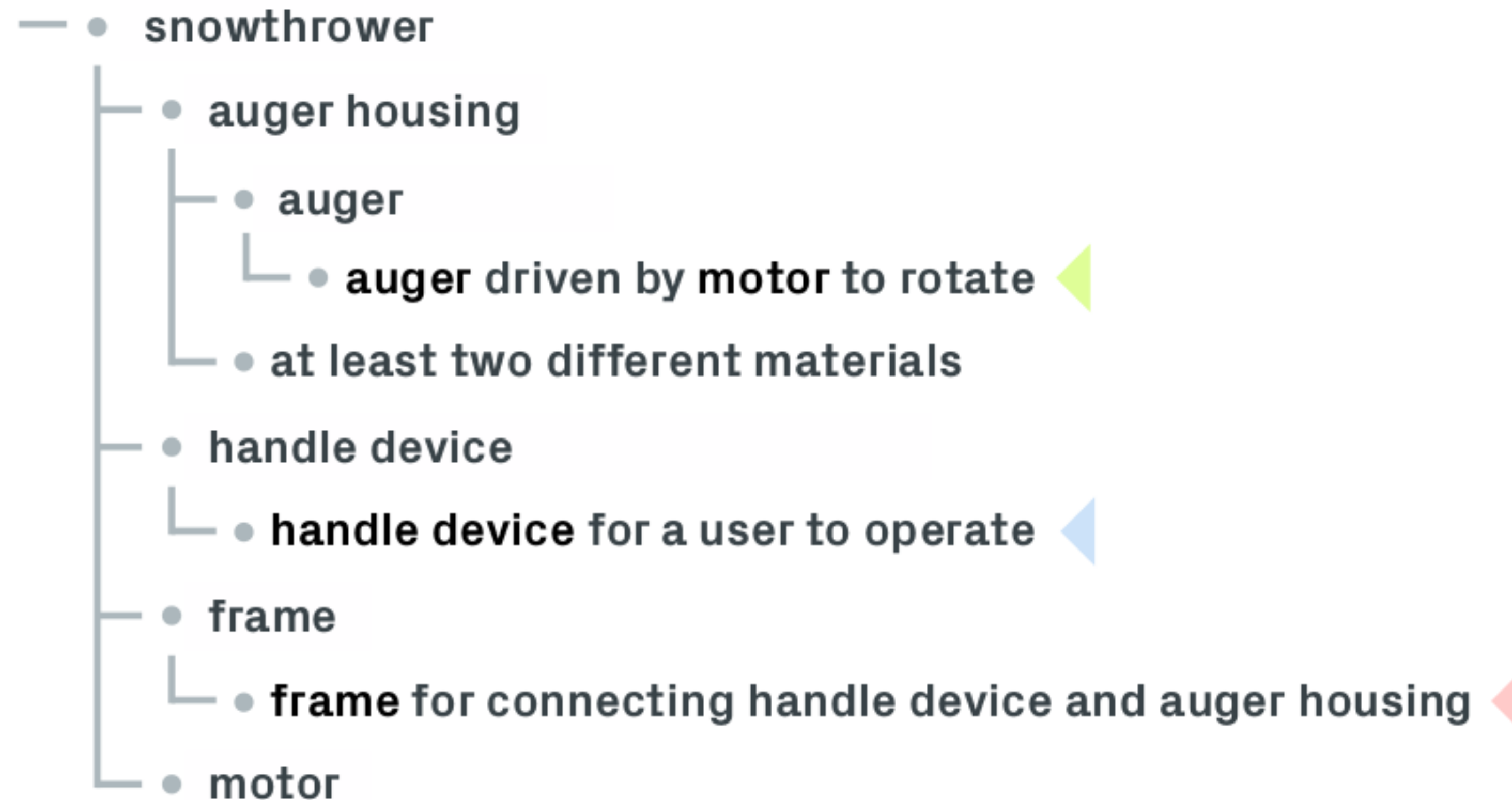
X/Y/A citations

- snowthrower
 - motor
 - handle device
 - handle device for a user to operate
 - auger housing
 - auger
 - auger driven by motor to rotate
 - at least two different materials
 - frame
 - frame for connecting handle device and auger housing



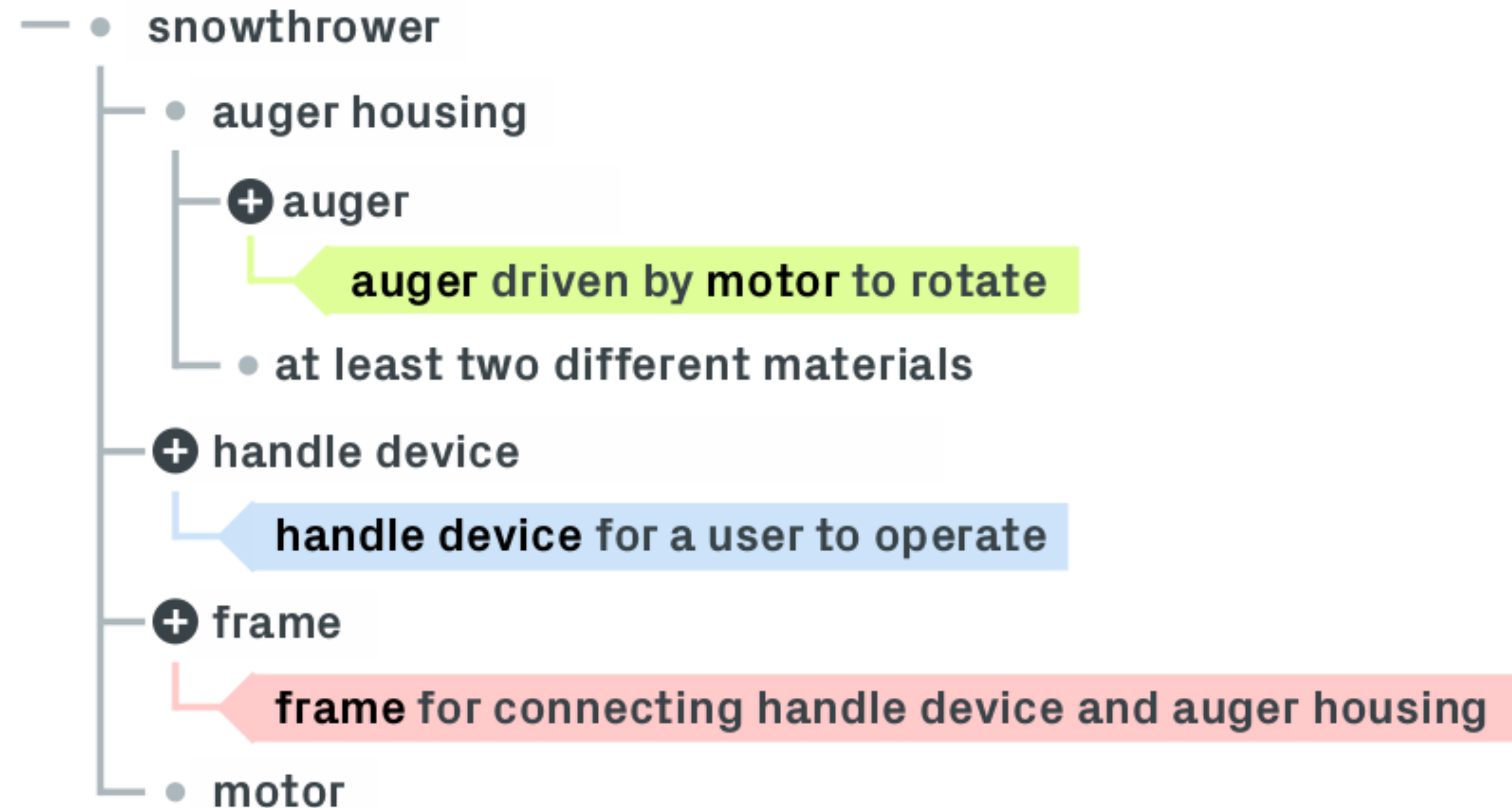
- snow thrower
 - transmission adjustable auger housing system
 - sweeping system
 - scraper bar
 - blade
 - outer portions
 - outer portions configured to engage or come to close proximity with ground so as to pick up snow
 - panel adjacent sweeper
 - edge of scraper bar
 - scraper bar engages sweeper proximate to outer circumferential perimeter of sweeper
 - scraper bar removes snow from sweeper and directs such snow into auger housing
 - scraper bar inhibits recirculation the snow back to underlying terrain
 - scraper bar adjacent sweeper rearward of second axis
 - scraper bar coupled to housing along bottom of housing
 - housing
 - mouth
 - mouth defined by bottom edge , top edge , first side edge and second side edge
 - mouth facing in a first direction
 - side
 - depression
 - elongate slot
 - rotating snow moving member
 - bottom
 - skid shoe mounting structure
 - knife
 - plurality of outlets
 - plurality of outlets dispose along edge of scraper bar located along lower edge of mouth of auger housing
 - manifold
 - nozzles
 - knife directs compressed gas and/or additives at forward angle ,
 - knife extends along majority of axial length of main auger
 - knife directs gas/additives forwardly of edge of scraper bar
 - engine
 - output
 - single output

Graph→embedding (TreeLSTM)

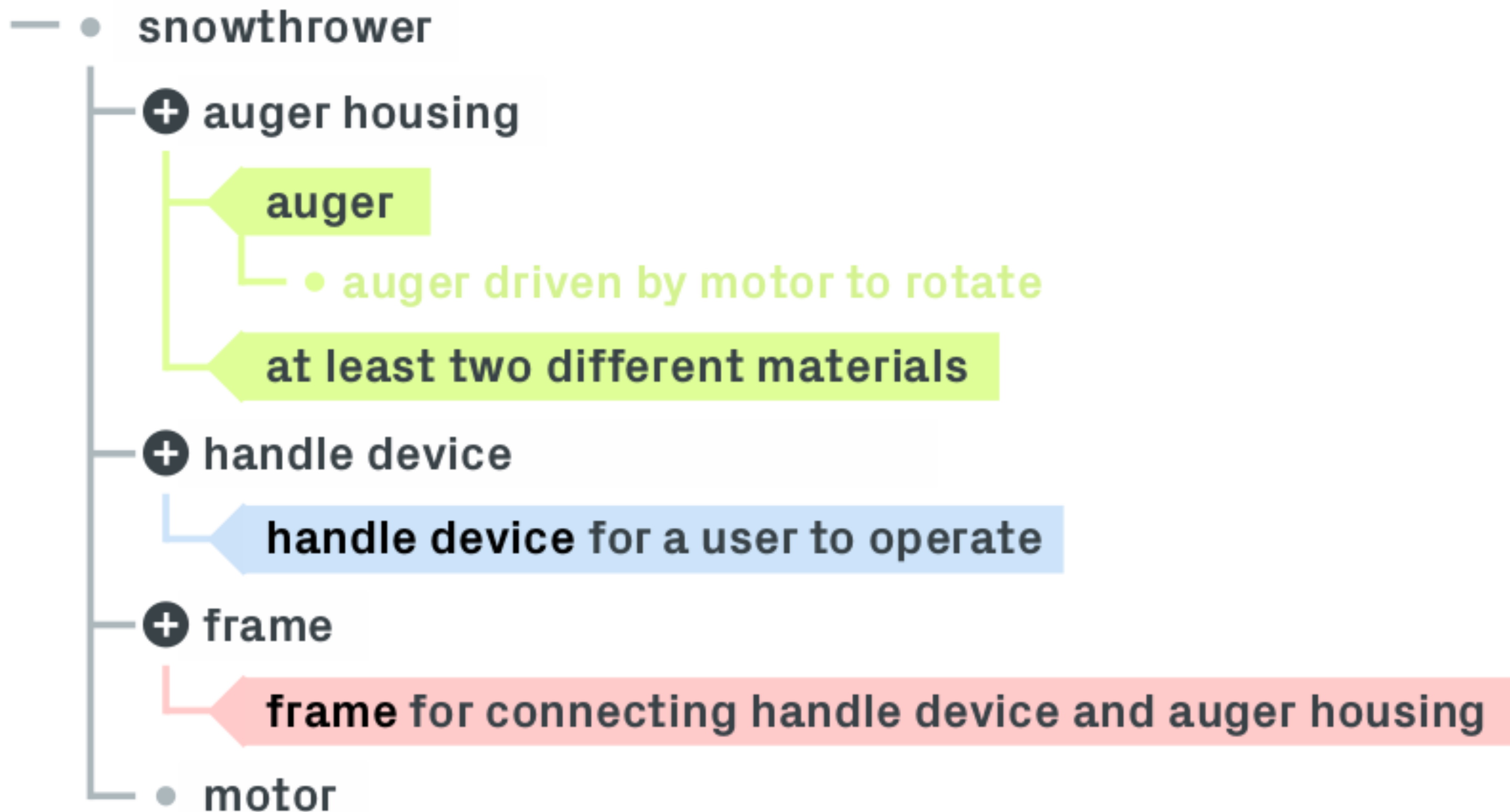


Kai Sheng Tai, Richard Socher, and Christopher D. Manning. 2015.
Improved Semantic Representations From Tree-Structured Long Short-
Term Memory Networks. <https://doi.org/10.48550/ARXIV.1503.00075>

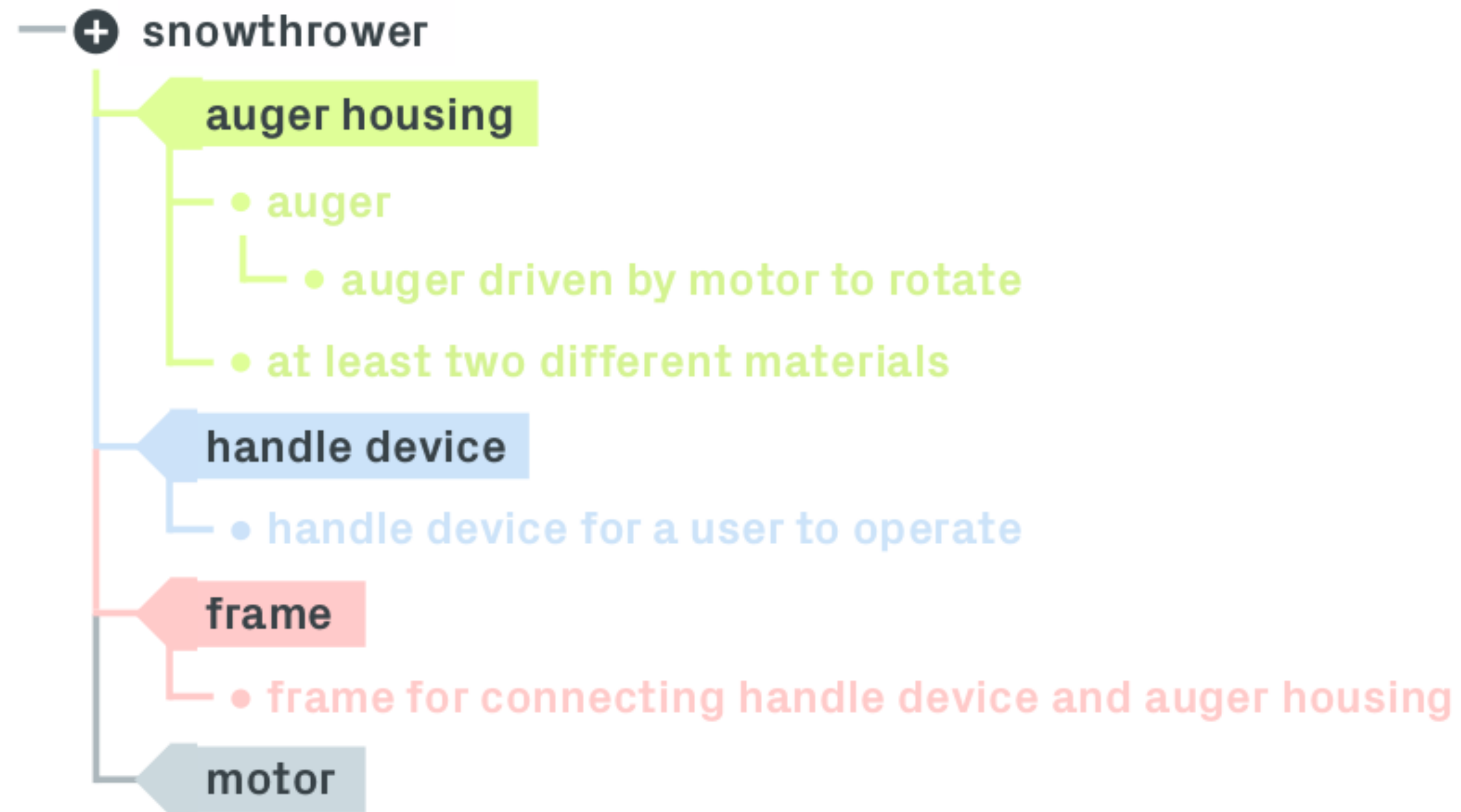
Graph→embedding (TreeLSTM)



Graph→embedding (TreeLSTM)

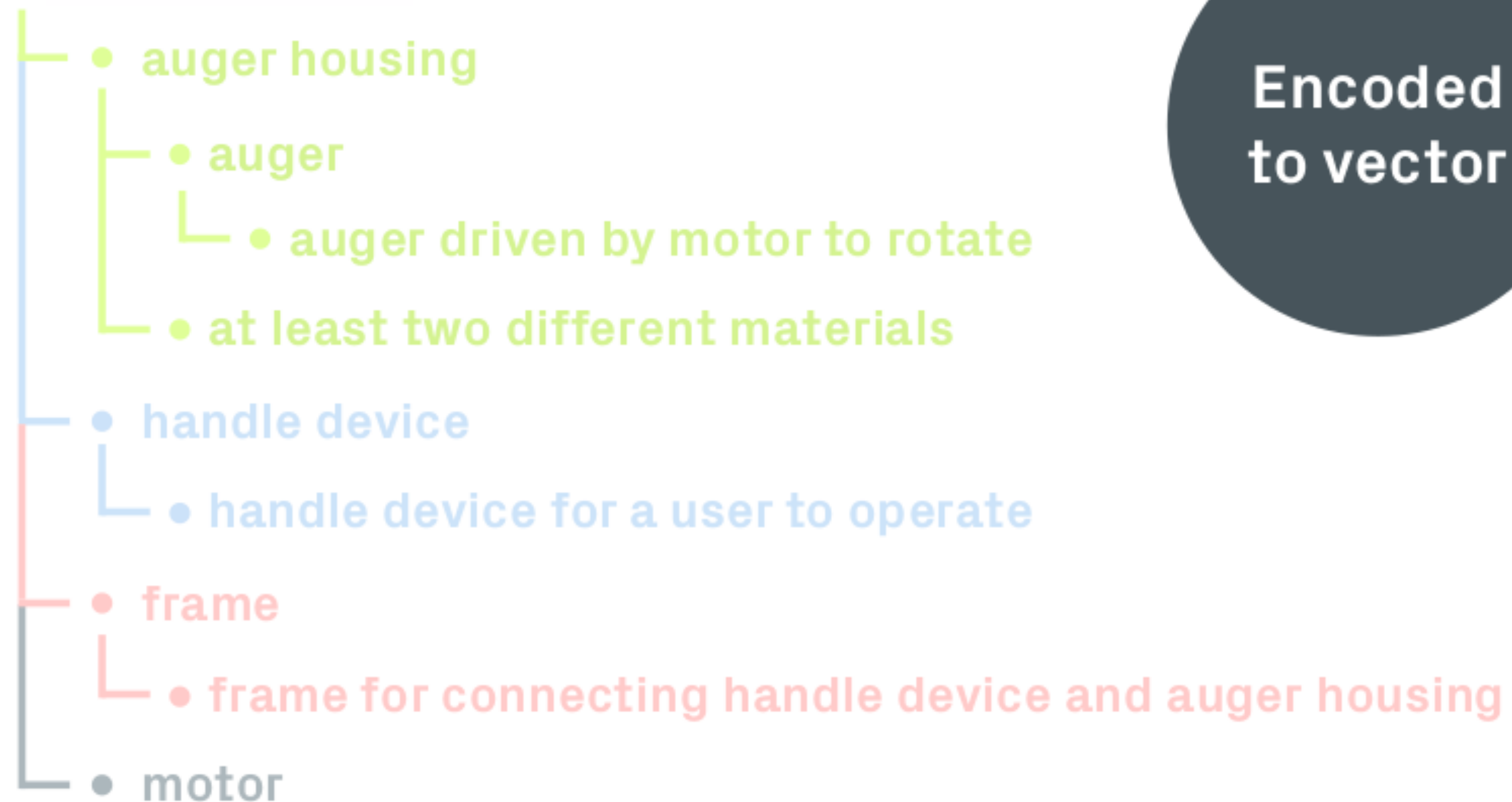


Graph→embedding (TreeLSTM)



Graph→embedding (TreeLSTM)

— ● snowthrower



Encoded
to vector

Scaling up quickly

- └ Team of 30
- └ Product has been live since 2019
- └ 100+ customers, from corporations to PTOs to universities



└ IPRally

Patent examiners are the search experts

*Document that was eventually used by an examiner to **deny novelty or inventive step** in the first office action was found among the **top 20 ranked documents in more than 40 per cent** of the cases.*

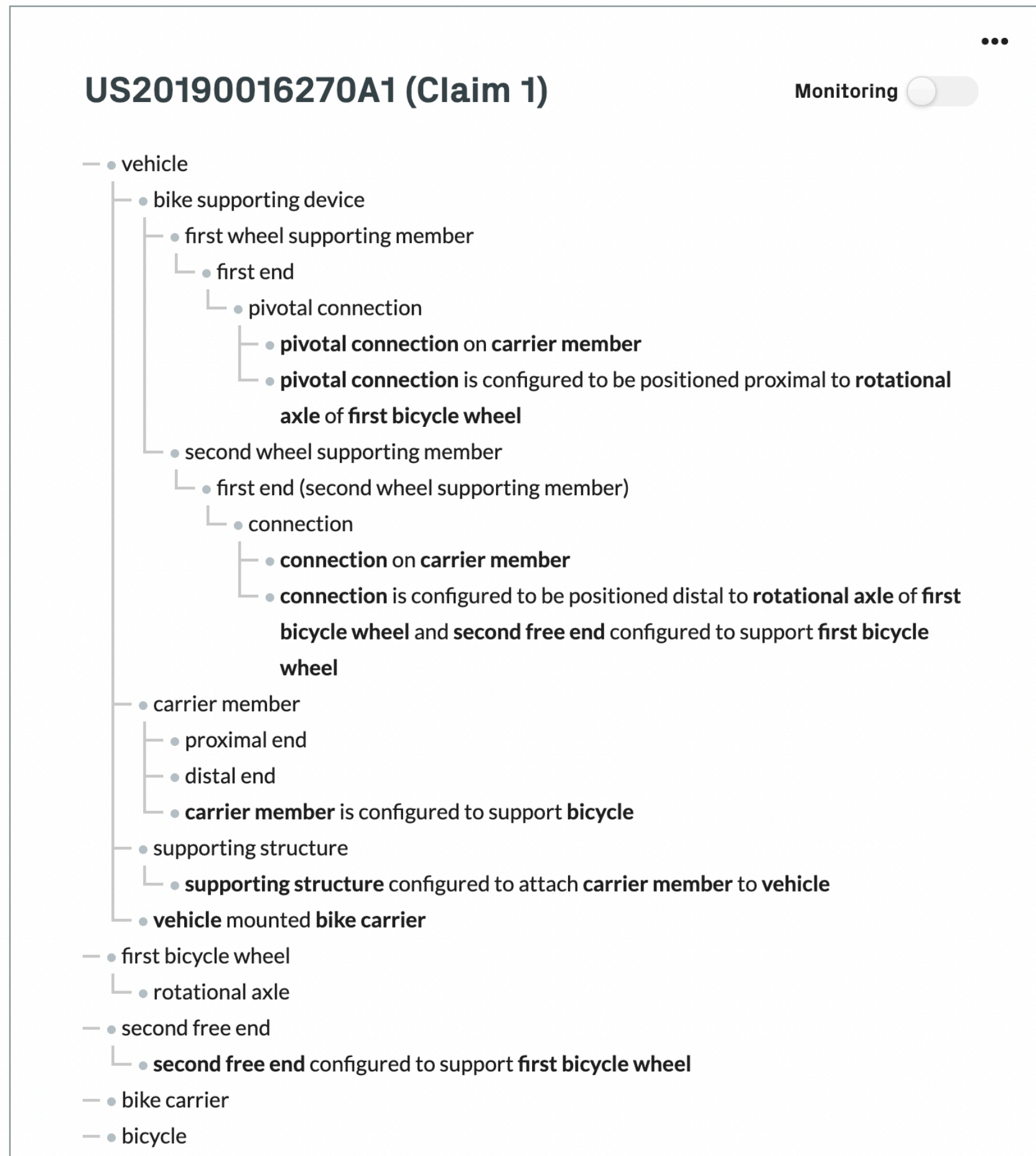


Finnish Patent Office

*IPRally found **highly relevant documents (X or Y) in 56% of all cases** and relevant A-documents in about 75% of all cases.*

Another major
European patent office

Try it today!



Hide

Results Citations **39** Favorites Statistics HIGHLIGHT

ACTIONS VIEW OPTIONS Expand all >

| | Title | Applicant | Published | Score |
|---|---|-----------------------------|------------|------------------------------|
| 1. | BIKE CARRIER US20160068111A1 WO EP CN | Horizon Global Americas Inc | 2016-03-10 | 58 More > |
| Cited | | | | |
| 2. | Bicycle carrier for a vehicle GB2528973A | KITCHER BENJAMIN JOHN | 2016-02-10 | 56 More > |
| 3. | Extendable Fork Forward Bicycle Carrier US20150246644A1 WO | Thule Sweden AB | 2015-09-03 | 56 Less < |
| <p>Abstract: A vehicle rooftop mountable bicycle carrier including a load bar spanning element with front and rear foot attachments and having a fork mount with skewer positioned forward of the front foot attachment and including an extendable element with a wheel cradle couplable to the load bar spanning element and having the wheel cradle attached at the rear end of the element.</p> <p>Application date: 2013-09-10 Priority date: 2012-09-11 (US201261699796P)</p> <p>Inventor: MAKRIS TIMOTHY, DETWEILER JAMES</p> <p>CPC classification: B60R 9/045, B60R 9/048, B60R 9/10 IPC classification: B60R 9/048, B60R 9/10, B60R 9/045</p> <p>Legal status: INACTIVE (Abandoned) Family status: INACTIVE</p> <p>External links: Google Patents, Espacenet, PatBase Express, PatBase</p> <p>Actions: Download PDF, Show legal events</p> | | | | |
| 4. | Bicycle carrier | SHAVER; TORI | 1999-12-07 | 56 |

